



SONCEBOZ

► **Hybrid stepper motors**

6600-20 automotive



ROBUSTNESS



HIGH PROTECTION DEGREES



ACCURACY

- Step angle..... 1.8°
- Size Ø 57.4 x 54.2 mm
- Weight 470 g
- Holding torque ... 750 mNm

The hybrid stepper motor comes into its own where torque at low speed, positioning, and accuracy are determining factors. This specific series is specially designed for high temperature and high vibration applications, as automotive, truck and off-road devices.

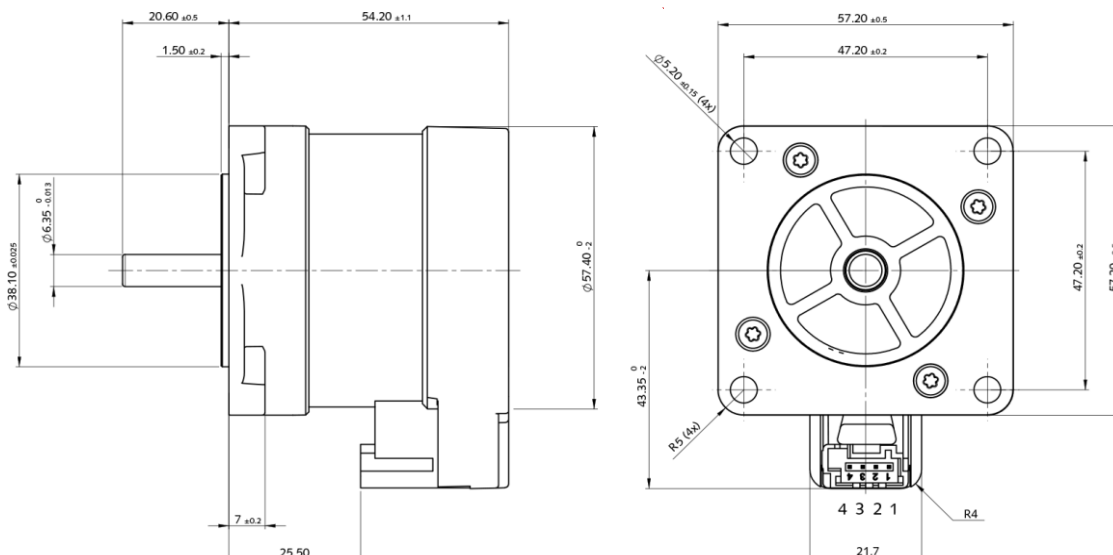
► **Technical data**

	Part N°	Phase resistance [Ω]	Phase inductance [mH]	Phase current [A]	Holding torque [mNm]	Nominal power [W]
Bipolar	6600-20-2-0.55	0.55	1.6	3.1	750	10.5
	6600-20-2-0.13	0.13	0.4	6.2	750	10.5

Steps/rev.	200
Step accuracy	± 5%
Rotor inertia	248 gcm²
Insulation class	180 °C
Insulation resistance	>100 MΩ
Test voltage	500 VAC
Detent torque	40 mNm

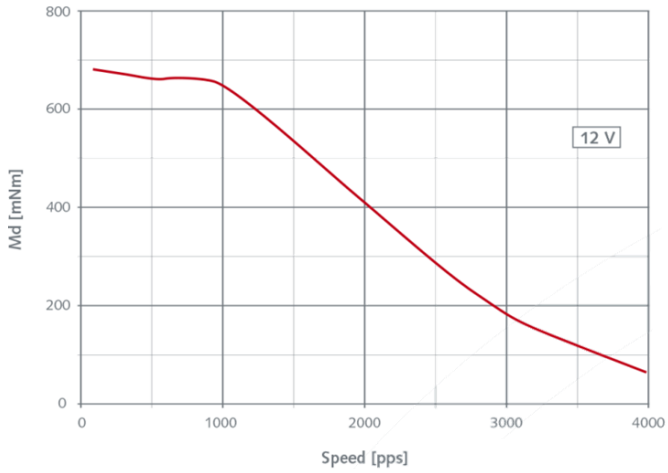
► **Dimensions**

Drawing not to scale. All dimensions in mm.

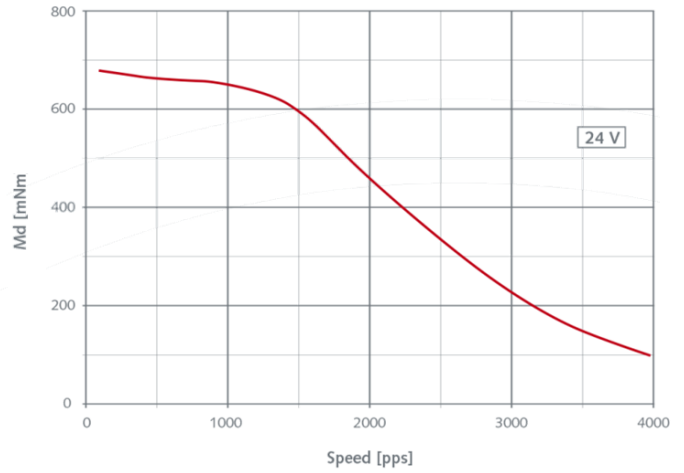


► Dynamic characteristics

• 6600-20-2-0.13



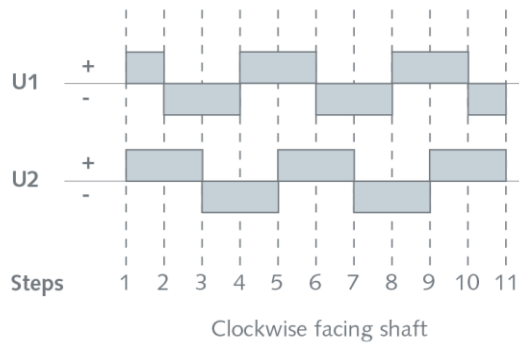
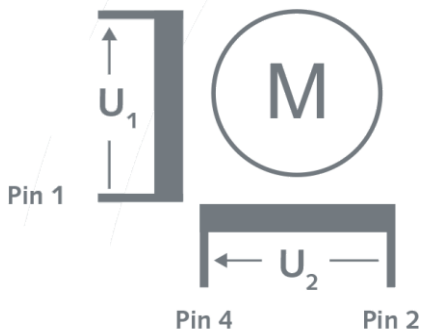
• 6600-20-2-0.55



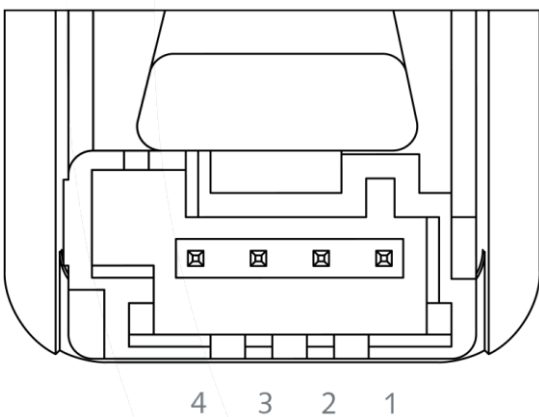
[pps] = pulses per second

► Electrical Interface and steps sequence

• Steps sequence



• Connection



Connector type Tyco AMP MQS C-208-15592
Coding Black